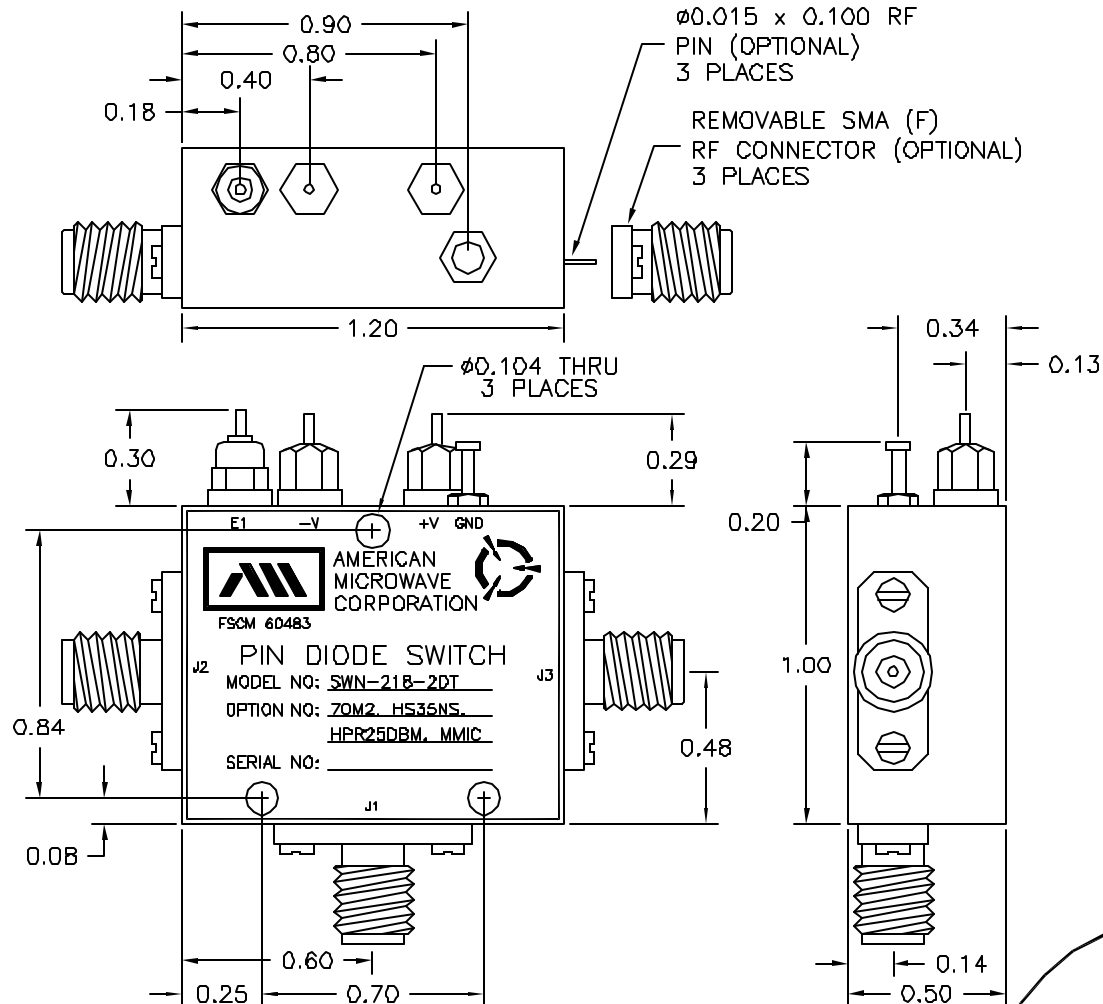


DESCRIPTION

AMC MODEL SWN-218-2DT OPTIONS: 70M2, HS35NS, HPR25DBM, MMIC IS AN ABSORPTIVE/NON-REFLECTIVE SINGLE POLE TWO THROW HIGH SPEED, HIGH POWER, MMIC RF SWITCH DESIGNED TO OPERATE BETWEEN THE 70 MHz TO 2 GHz FREQUENCY RANGE.



MECHANICAL OUTLINE

REVISIONS				
ZONE	REV.	DESCRIPTION	DATE	APPROVED
	-	ORIGINAL RELEASE JOB# 509214	10/31/08	

AMERICAN MICROWAVE CORPORATION

7311-G GROVE ROAD
FREDERICK, MARYLAND 21704 USA
TEL: 301-662-4700 FAX: 301-662-4938
WEBSITE: www.americanmicrowavecorp.com
E-MAIL: sales@americanmicrowavecorp.com
ISO 9001:2000 CERTIFIED



ALL DIMENSIONS ARE IN INCHES
TOLERANCES:
X.XX ±0.020
X.XXX ±0.010

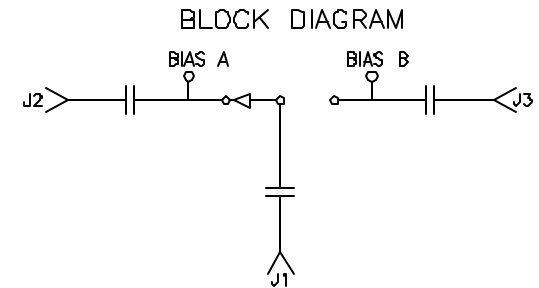
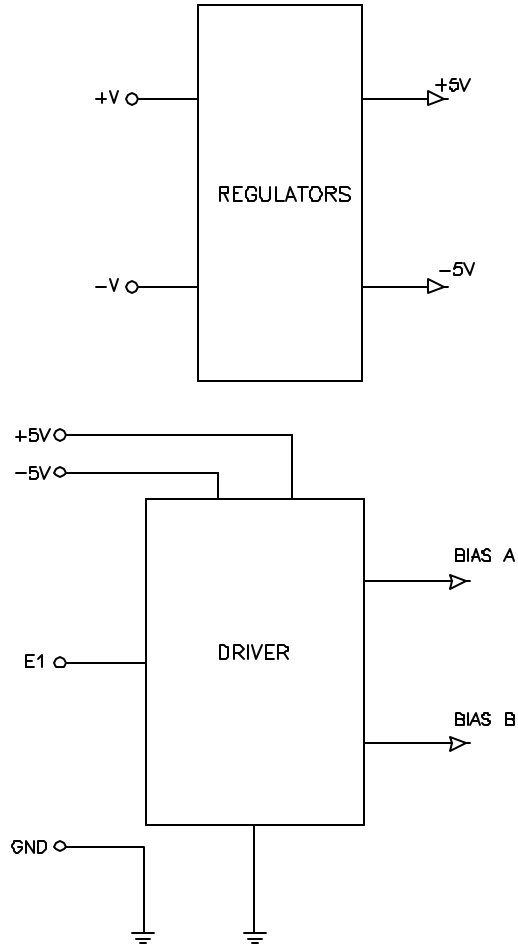
APPROVALS		DATE	TITLE		
DRAWN	<i>FDS</i>	10/31/08	MECHANICAL OUTLINE SWN-218-2DT OPTION: 70M2, HS35NS, HPR25DBM, MMIC 0.07-2 GHz, SINGLE POLE TWO THROW SWITCH		
CHECKED			SIZE	FSCM NO.	DWG NO.
ISSUED			A	60483	100-7540
			SCALE	N:S	SHEET 2 OF 4

DESCRIPTION

AMC MODEL SWN-218-2DT OPTIONS: 70M2, HS35NS, HPR25DBM, MMIC IS AN ABSORPTIVE/NON-REFLECTIVE SINGLE POLE TWO THROW HIGH SPEED, HIGH POWER, MMIC RF SWITCH DESIGNED TO OPERATE BETWEEN THE 70 MHz TO 2 GHz FREQUENCY RANGE.

REVISIONS				
ZONE	REV.	DESCRIPTION	DATE	APPROVED
	-	ORIGINAL RELEASE JOB# 509214	10/31/08	

FUNCTIONAL BLOCK DIAGRAM



AMERICAN MICROWAVE CORPORATION

7311-G GROVE ROAD
 FREDERICK, MARYLAND 21704 USA
 TEL: 301-662-4700 FAX: 301-662-4938
 WEBSITE: www.americanmicrowavecorp.com
 E-MAIL: sales@americanmicrowavecorp.com
 ISO 9001:2000 CERTIFIED



APPROVALS		DATE	TITLE	
DRAWN <i>FDS</i>		10/31/08	FUNCTIONAL BLOCK DIAGRAM SWN-218-2DT	
CHECKED			OPTION: 70M2, HS35NS, HPR25DBM, MMIC 0.07-2 GHz, SINGLE POLE TWO THROW SWITCH	
ISSUED			SIZE A	REV. -
			PSCHM NO. 60483	DWG NO. 100-7540
			SCALE N:S	SHEET 3 OF 4